



TECHNICAL DATA SHEET

The Wall-E-Cover, where every vent is covered! Our wall vent covers solve a problem that traditional exhaust vents allow- wildlife entering your home. We have a wide product lineup of home exterior vent covers that prevent wildlife entry into your home through your exhaust vents. This cover is non-rusting, powder coated galvanized steel with a cosmetically appealing finish for all areas of your home or building exterior. It features a fold and play design for easy installation.

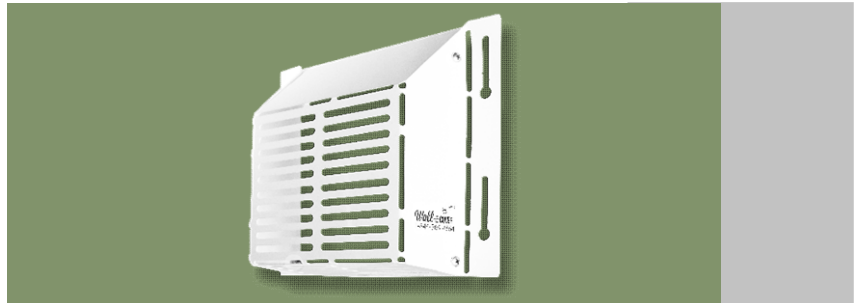
The design eliminates bird and mice nesting and costs incurred by wildlife gaining access to your home through your plastic exhaust vents.

PRODUCT NAME:

HOME EXTERIOR METAL VENT COVER - SMALL SLIM DRYER AND KITCHEN

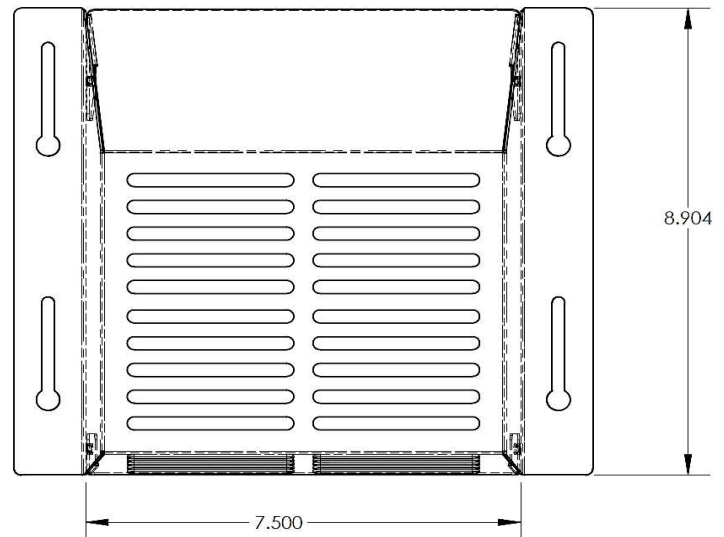
MODEL/UPC

627843367796



TECHNICAL DATA SPECIFICATIONS

SKU Product Number	627843367796
Assembled Height	8.9
Assembled Width	7.5
Assembled Depth	3
Assembled Height with flaps	8.9
Assembled Width with flaps	10.25
Slit Holes	0.25
Material	Galvanized steel
Finish	Powder Coated
Color	White gloss

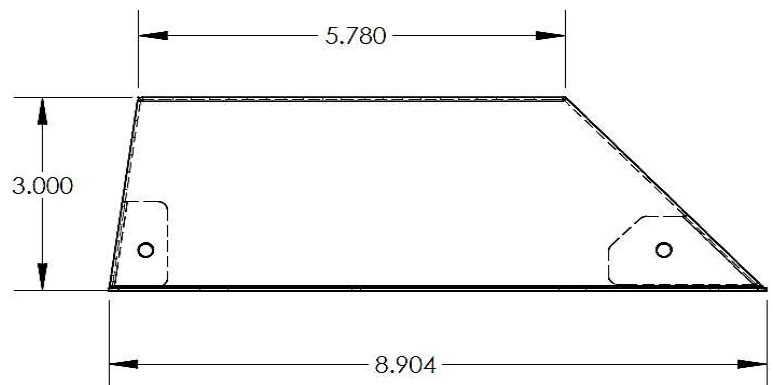


Hardware Included

- 4 assembly nuts & bolts
- 4 mounting plugs
- 4 mounting screws

Designed for Vent Type

This vent cover fits most 3 inch and 4 inch wall mounted bathroom, kitchen, dryer, utility exhaust and air vents. This includes most hooded and all louvered vents.



MMC DESIGN CONCEPTS INC

675 ARVIN AVENUE STONEY CREEK,
ONTARIO CANADA
L8E 5R2

TEL: 905-638-1600

EMAIL: INFO@WALLECOVER.COM

WEB: WWW.WALLECOVER.COM